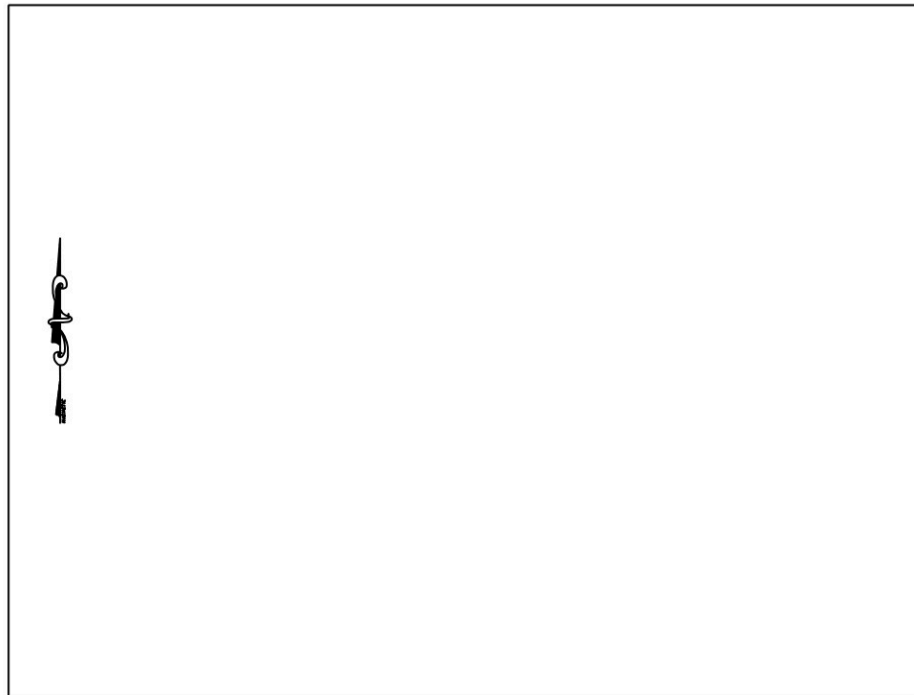
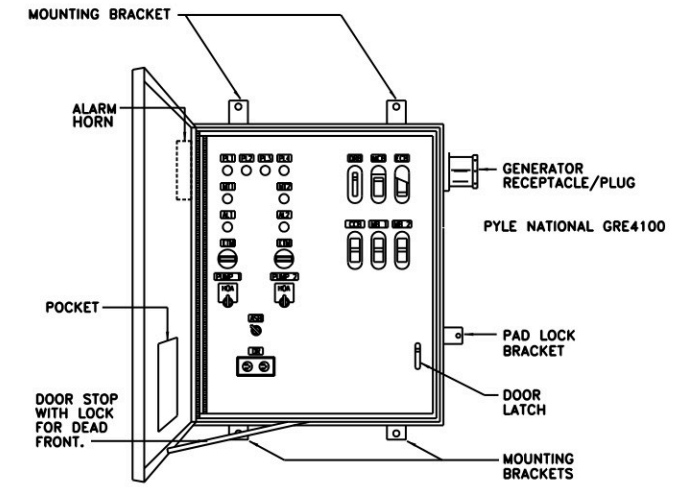


240 V / 3 PH



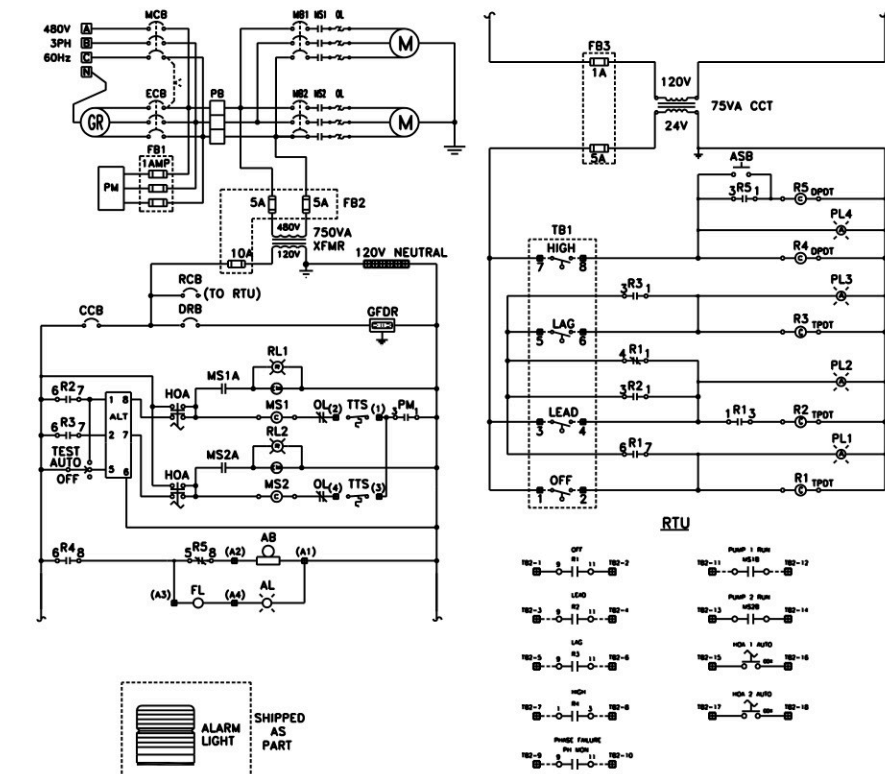
PUMP STATION SITE PLAN
SCALE: 1"=20'



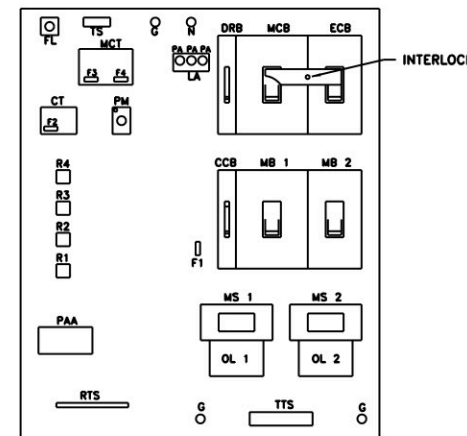
NOTES:

1. OUTER BOX SIZE SHALL BE A MINIMUM OF 24"W x 36"H x 10"D OR AS APPROVED BY THE CITY.
2. FOR STATIONS WITH PUMPS RATED 20 HP OR GREATER, OUTER BOX SIZE SHALL BE 30"W x 42"H x 10"D AND SHALL HAVE 2 LATCHES ON THE DEAD FRONT.
3. DRAWINGS SHALL BE REVISED FOR STATIONS WITH PUMPS RATED GREATER THAN 47 HP AND SUBMITTED TO THE CITY FOR APPROVAL.
4. INSTALL GENERATOR PLUG ON CONTROL PANEL TO MEET THE CITY OF SANFORD'S SPECIFICATIONS.

DUPLEX CONTROL PANEL ENCLOSURE
DEAD FRONT LAYOUT



480 V / 3 PH



NOTES:

1. MAIN CIRCUIT TRANSFORMER REQUIRED FOR 480 VOLT SUPPLY ONLY.

DUPLEX CONTROL PANEL ENCLOSURE
SUBPANEL LAYOUT

ABBREV.	ITEM DESCRIPTION
AH	ALARM HORN
AL	ALARM LIGHT
ASB	ALTERNATOR TEST SWITCH
CCB	CONTROL CIRCUIT BREAKER
CCT	CONTROL CIRCUIT TRANSFORMER
DR	DUPLEX RECEPTACLE / G.F.I.
DRB	DUPLEX RECEPTACLE BREAKER
ECB	EMERGENCY CIRCUIT BREAKER
ETM	ELAPSE TIME METER
F	FUSE
FL	FLASHER
FR	FLOAT REGULATOR
G	GROUND
GR	GENERATOR RECEPTACLE
HOA	HAND-OFF-AUTO-SELECTOR
HSS	HORN SILENCE SWITCH
LA	LIGHTNING ARRESTER
MB	MOTOR BREAKER
MCB	MAIN CIRCUIT BREAKER
MCT	MAIN CIRCUIT TRANSFORMER
MT	MOISTURE AND TEMPERATURE FAILURE LIGHT
MS	MOTOR STARTER
N	NEUTRAL
OL	OVERLOAD HEATER
PA	POWER AVAILABLE LIGHT (3 REQUIRED, 1 EACH PHASE)
PAA	PUMP AUTOMATIC ALTERNATOR
PL	PILOT LIGHT
PM	PHASE MONITOR
R	RELAY
RE	RESISTOR
RL	RUN INDICATOR
RTS	REGULATOR TERMINAL STRIP
TS	TERMINAL STRIP
TTS	THERMAL TERMINAL STRIP

PUMP STATION CONTROL PANEL LEGEND