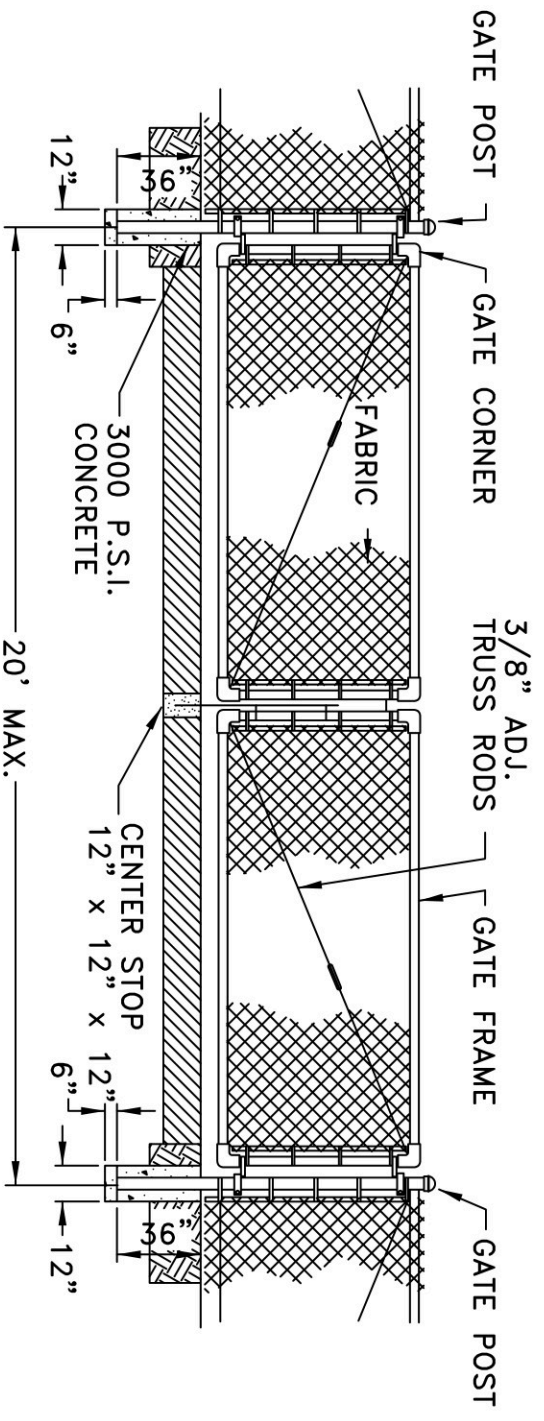


FENCE DETAIL



DOUBLE SWING GATE DETAIL

NOTES:

1. TRUSS BARS ARE REQUIRED FOR EACH GATE SECTION AND THE FIRST SPAN ON EACH SIDE OF A CORNER POST ONLY.
2. ALL MATERIALS SHALL HAVE A FACTORY APPLIED BLACK VINYL COATING.

CHAIN LINK FENCE DETAIL